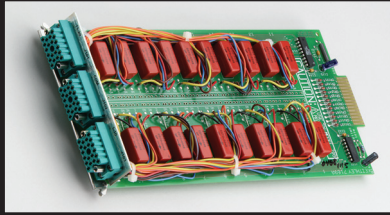


## 7169A



- 20 independent Form C relays
- 500V peak
- Mass termination connectors

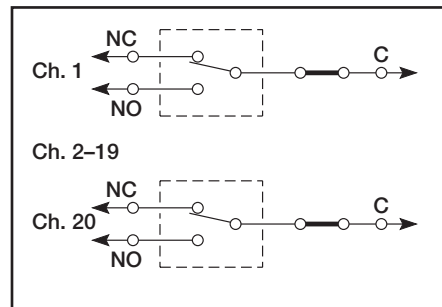
### Ordering Information

7169A 20-Channel Form C Switch Card

# Form C Switch Card

## 20-Channel

Each channel of the Model 7169A is a single-pole, double-throw isolated switch. There are two undedicated buses on the card that can be jumpered to interconnect channels or change the card configuration from switch to multiplex. Factory installed jumpers in series with the Common terminal can be removed if a limiting resistor is required. All poles are available at the three 20-pin mass terminators, which provide quick termination and disconnect when using Model 7169-MTC-3 Mass Terminated Cables or Model 7169-KIT connectors. Use only in Model 7002 mainframe (relays are position sensitive).



**CHANNELS PER CARD:** 20 independent Form C. All poles available at connectors. Replacement of factory installed jumper allows current limit resistor in series with common of each channel. On-card bus allows for addition of jumper to change configuration from switch to multiplex. Bus also allows channel interconnection.

**CONNECTOR TYPE:** 3×20 pin mass termination.

**RELAY DRIVE CURRENT:** 30mA per relay typical.

**MAXIMUM SIGNAL LEVEL:** 500V peak, 0.5A rms switched, 1A rms carry, 10W (resistive load only).

**CONTACT TYPE:** Form C.

**CONTACT LIFE:** >10<sup>8</sup> closures cold switching; >10<sup>7</sup> closures at maximum signal levels.

**CONTACT RESISTANCE:** <2Ω to rated life.

**CONTACT POTENTIAL:** <35μV C to NO or NC.

**ACTUATION TIME:** <3ms, exclusive of mainframe.

**CHANNEL ISOLATION:** >10<sup>8</sup>Ω, <50pF.

**INPUT ISOLATION:** >10<sup>8</sup>Ω, <50pF.

**COMMON MODE VOLTAGE:** 500V peak.

**EMC:** Conforms to European Union Directive 89/336/EEC.

**SAFETY:** Conforms to European Union Directive 73/23/EEC (meets EN61010-1/IEC 1010).

**OPERATING ENVIRONMENT:** 0° to 55°C, up to 35°C at 70% RH.

**STORAGE ENVIRONMENT:** -25°C to 65°C.

### ACCESSORIES AVAILABLE

#### CABLES

7169-MTC-3 Mass Terminated Cable Assembly, 3m (10 ft.)

#### CONNECTORS

7169-KIT 20-Pin Mass Terminated Connector Kit

7169-MTR Mass Terminated Bulkhead Mount Receptacle

#### TOOLS FOR CONNECTOR ASSEMBLY

7078-CIT Extraction Tool for 7169-KIT and 7169-MTR

7078-HCT Hand Crimp Tool for 7169-KIT and 7169-MTR

1.888.KEITHLEY (U.S. only)

[www.keithley.com](http://www.keithley.com)

**KEITHLEY**

A GREATER MEASURE OF CONFIDENCE